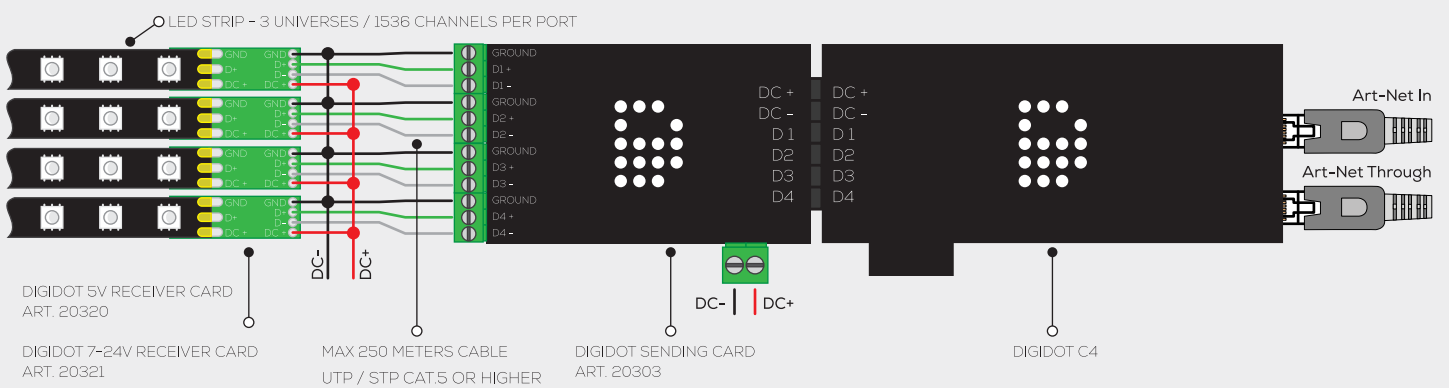


With the DiGidot TX-RX Kit you can extend data cable length up to 250 meter for SPI and 500 meter for DMX512. Convert DMX TTL to 4 x DMX512 Output.

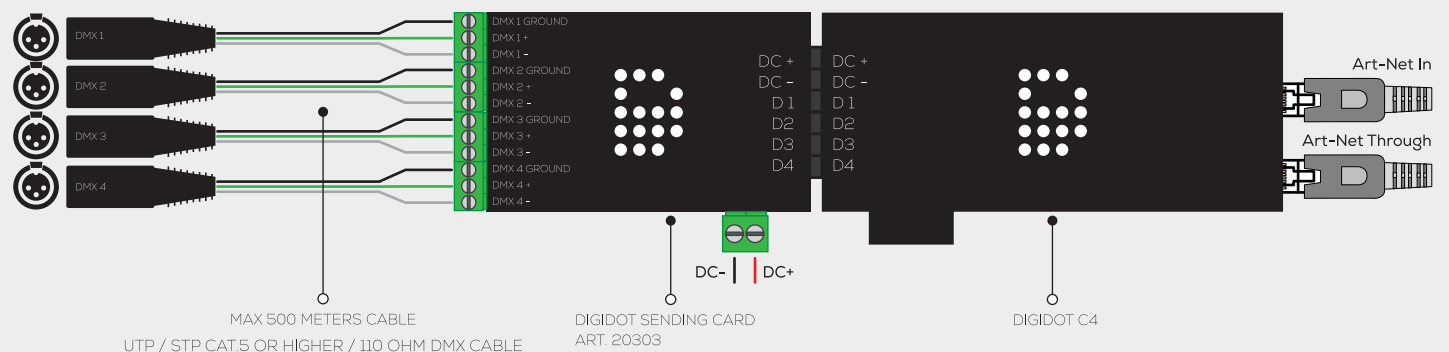
DIGIDOT C4 » TX-RX » SPI LED STRIP CONNECTING DIGIDOT SENDING AND RECEIVING CARD

	5V DIGIDOT TX-RX KIT - ART. 20322	7-24V DIGIDOT TX-RX KIT - ART. 20323
POWER	DC 5V 1W	DC 7-24V 1W
CABLE TYPE	UTP / STP CAT.5 OR HIGHER	UTP / STP CAT.5 OR HIGHER
CABLE LENGTH	MAX LENGTH 250 METERS / 820 FT	MAX LENGTH 250 METERS / 820 FT
OUTPUT SETTING	ANY AVAILABLE SPI OUTPUT	ANY AVAILABLE SPI OUTPUT
OUTPUT	MAX 1536 CHANNELS PER OUTPUT	MAX 1536 CHANNELS PER OUTPUT
KIT CONTAINS	1 X 5-24V SENDING CARD (ART. 20303) 4 X 5V RECEIVER CARD (ART. 20320)	1 X 5-24V SENDING CARD (ART. 20303) 4 X 7-24V RECEIVER CARD (ART. 20321)

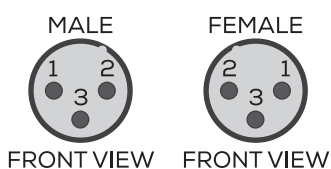


DIGIDOT C4 » TX » 4X DMX CONVERT DMX TTL TO DMX512 WITH THE DIGIDOT SENDING CARD

	DIGIDOT TX - SENDING CARD 5-24V - ART. 20303
POWER	DC 5-24V 1W
CABLE TYPE	UTP / STP CAT.5 OR HIGHER / 110 OHM DMX CABLE
CABLE LENGTH	MAX LENGTH 500 METERS / 1640 FT
OUTPUT SETTING	4X DMX TTL
OUTPUT	MAX 512 DMX CHANNELS PER OUTPUT
CONTAINS	1 X 5-24V SENDING CARD (ART. 20303)



PIN DMX WIRING STANDARD



3 PIN DMX

PIN 1	GROUND	SHIELD
PIN 2	DATA 1-	(PRIMARY DATA LINK)
PIN 3	DATA 1+	(PRIMARY DATA LINK)