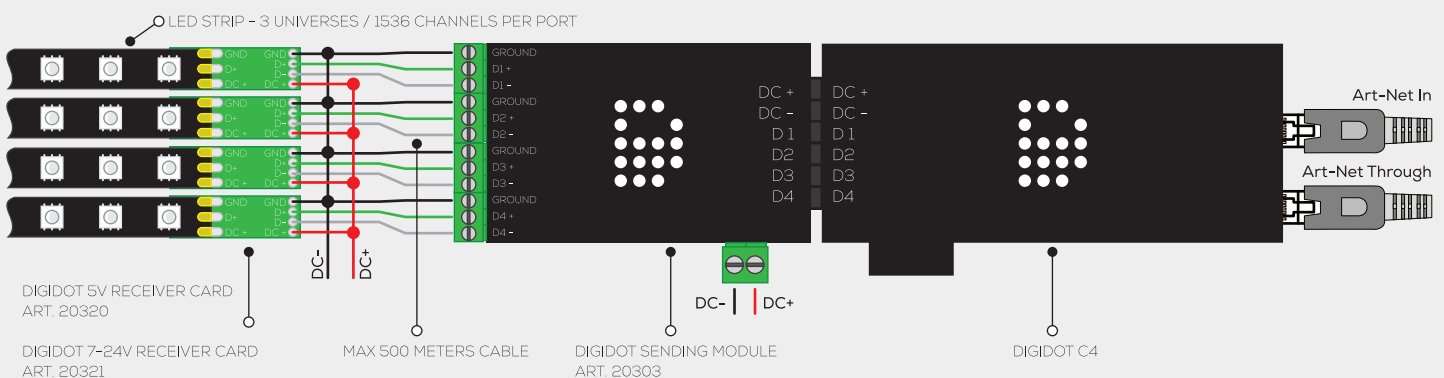


With the DiGidot Transceiver you can extend data cable length up to 500 meter for SPI and 1000 meter for DMX512. Convert DMX TTL to 4 x DMX512 Output.

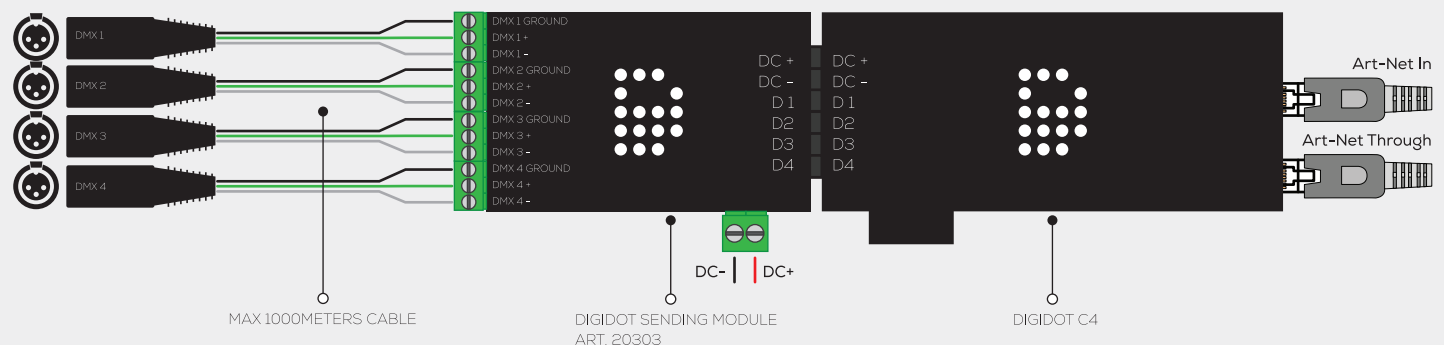
DIGIDOT C4 » TRANSCEIVER » SPI LED STRIP CONNECTING DIGIDOT TRANSCEIVER

	DIGIDOT TRANSCEIVER KIT 5V - ART. 20322	DIGIDOT TRANSCEIVER KIT 7-24V - ART. 20323
POWER	DC 5V 5W	DC 7-24V 5W
CABLE TYPE	UTP / STP CAT.5 OR HIGHER	UTP / STP CAT.5 OR HIGHER
CABLE LENGTH	MAX LENGTH 500 METERS / 1640 FT	MAX LENGTH 500 METERS / 1640 FT
OUTPUT SETTING	ANY AVAILABLE SPI OUTPUT	ANY AVAILABLE SPI OUTPUT
OUTPUT	MAX 1536 CHANNELS PER OUTPUT	MAX 1536 CHANNELS PER OUTPUT

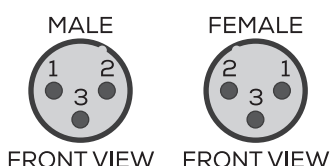


DIGIDOT C4 » TRANSCEIVER » 4X DMX CONVERT DMX TTL TO DMX512

	DIGIDOT TX - SENDING CARD 5-24V - ART. 20303
POWER	DC 5-24V 5W
CABLE TYPE	UTP / STP CAT.5 OR HIGHER / 110 OHM DMX CABLE
CABLE LENGTH	MAX LENGTH 1000 METERS / 3280 FT
OUTPUT SETTING	4X DMX TTL
OUTPUT	MAX 512 DMX CHANNELS PER OUTPUT



PIN DMX WIRING STANDARD



3 PIN DMX

PIN 1	GROUND	SHIELD
PIN 2	DATA 1-	(PRIMARY DATA LINK)
PIN 3	DATA 1+	(PRIMARY DATA LINK)