

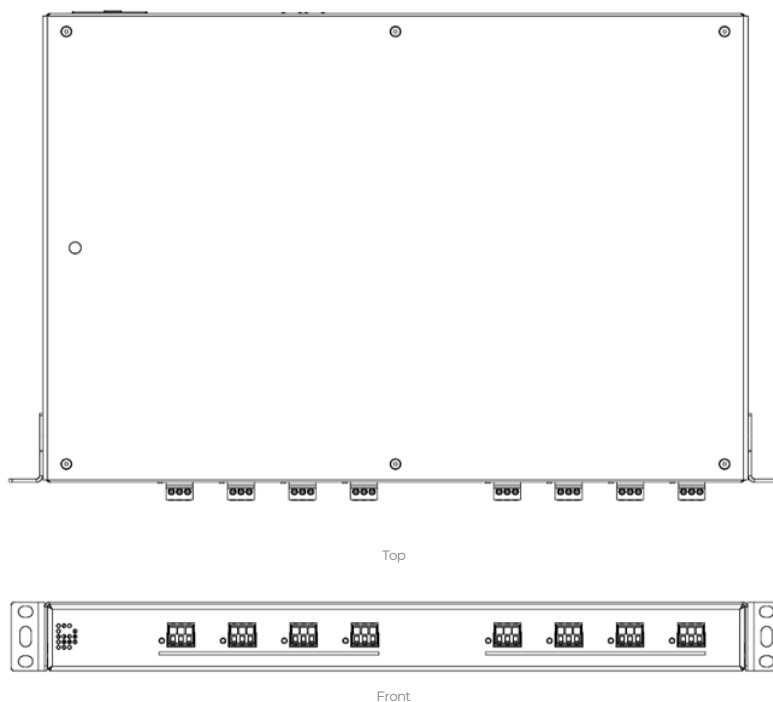
DiGidot Power Node

Specification sheet

PUSHING CONTROL BOUNDARIES



The DiGidot Power Node cutting-edge 19" mountable rack to empower your setup like never before. With the capability to deliver up to 1200W of power and accommodate 24 universes of DiGidot Controller Extended data features, it's a game-changer in the industry!



DiGidot Power Node

Specification sheet

Description

The DiGidot Power Node is the ultimate all-in-one solution designed to save time, enhance efficiency, and power up to 24 universes effortlessly thanks to its exceptional ease of installation. Where you would normally require separate components like a DiGidot C4, power supply, and cabling, the PowerNode combines everything into one compact and efficient system. With two sizes available – Power Node u12x and Power Node u24x – this series offers flexibility for both small and large-scale installations.

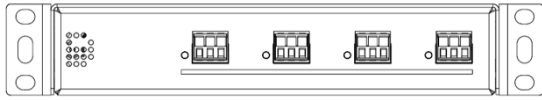
The PowerNode u24x supports up to 24 universes, while the PowerNode u12x handles up to 12 universes. Its versatile power supply options of 12V, 24V, and 48V make it suitable for a lot of different LED applications, from small accents to large-scale lighting setups. Additionally, the wide input voltage range of 100V to 260Vac ensures compatibility with various power standards worldwide.

With a 600W capacity per power supply (up to 1200W for the PowerNode u24x), the PowerNode delivers power and reliability. Real-time/live output monitoring and configurable e-fuses, accessible through the intuitive DiGidot interface, make this system advanced and future-proof. Additionally, individual outputs can be toggled on or off to minimize energy consumption during standby or blackout modes, contributing to greater sustainability.

Features

- E-Fuse protection
- Four or Eight outputs
- 600 or 1200 W
- 12, 24 or 48 VDC
- Real-time Monitoring: Track live current and voltage outputs through the DiGidot interface, ensuring optimal performance and instant error detection.
- Switchable and standby versions
- Inrush Limiter
- Quick and Easy rack install
- Up to 24 Universes

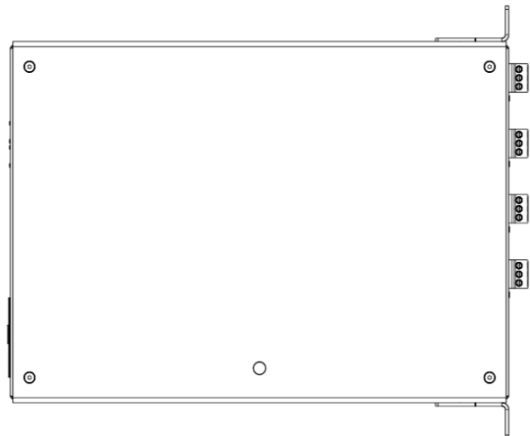
Technical drawings Power Node u12x



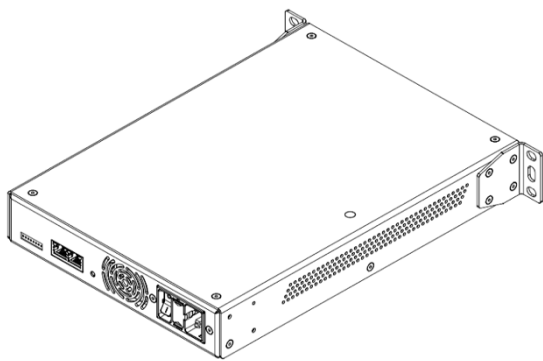
Input Side (H: 30mm)



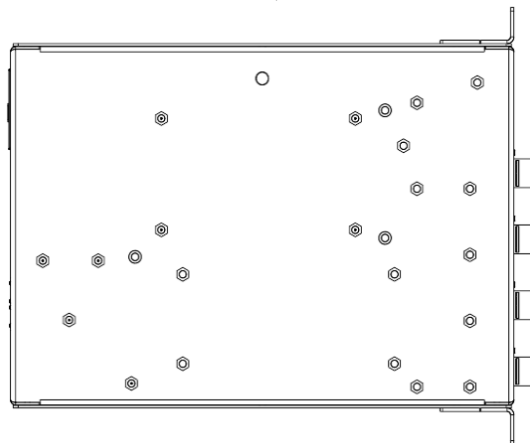
Power Side



Top



Isometric



Bottom

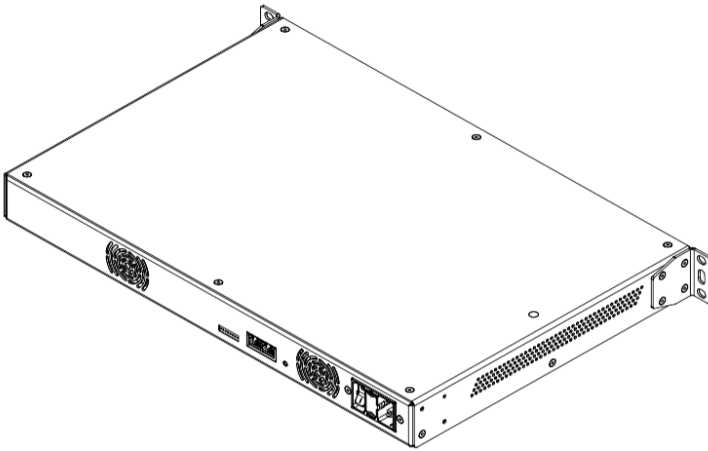
Technical drawings Power Node u24x



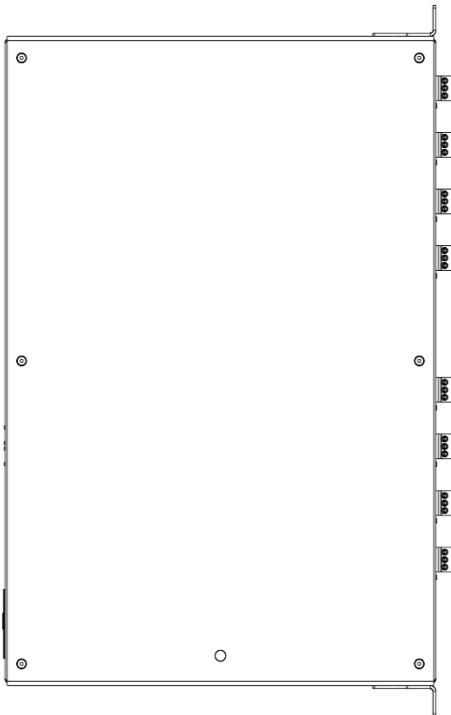
Input Side (H:30mm)



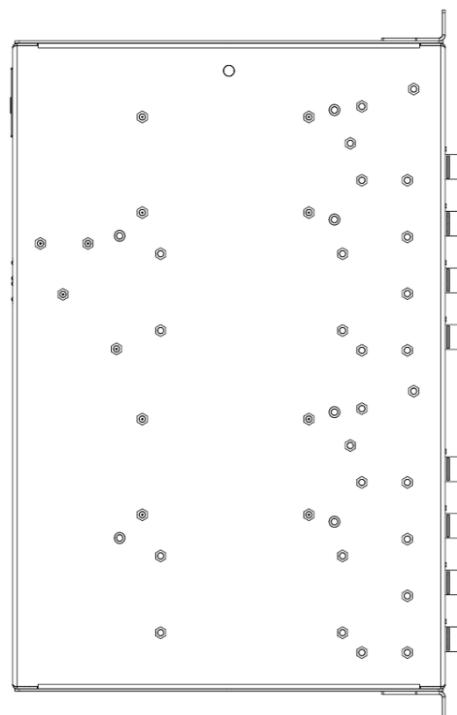
Power Side



Isometric



Top



Bottom

Specifications

Electrical

Input Voltage	100-250 VAC
Frequency	50-60 Hz
Max. Power Consumption	1300 W

Mechanical

Housing Material	ALMg3 EN AW-5753 H111 Aluminium
Dimensions	65 x 65 x 25 mm 2559 x 2559 x 984 mil

Net Device Weight	2.47 kg 5.45 lbs.
Package Weight	3.20 kg 7.05 lbs.
Mounting	Rack or Service

Environmental

Operation Temperature (Tc)	0 to 50 °C 32 to 122 °F
Ambient Temperature (Ta)	40 °C 104 °F
Storage Temperature	-20 to 50 °C -4 to 122 °F
Operating Relative Humidity	90% (indoor use only)

Protection

IP Rating	IP40
DC Input	Inrush limiter, over- and undervoltage protection, reverse polarity protection

Control

Supported Protocols	SPI, DMX TTL
---------------------	--------------

Connectivity

Max. Power Wiring	2,5 mm ² 12 AWG
Max. Data Wiring	0,2 mm ² 26 AWG

Quality

Warranty	5 years carry in factory warranty
Compliances	CE, RoHS, pending ETL (expected 2025)
Applied standards	EN60950-1:2006 + A11:2009 + A1:2010 + A12:2011 + A2:2013, IEC60950-1/EN60950-1, EN61006-6-3, EN55032

Safety Instructions

Before installing DiGidot products it's important to take notice of following safety and installation instructions.

- > Before installation and use of this product, read this manual carefully.
- > Make sure that these instructions are handed over to the end-user and those responsible for installation, use and maintenance.
- > Local electrical and safety rules and guidelines always overrule this manual.
- > Installation should only be carried out by a professional and certified installer that is qualified to work on the electric installation.
- > Do not conduct any repairs of the device (there are no user serviceable parts inside). Any unapproved repairs and/or product modifications will void product warranty. DiGidot Technologies B.V. cannot be held liable for any consequences.
- > Repairs of this product may only be carried out by the manufacturer DiGidot Technologies B.V.
- > Repairs and maintenance on the installation may only be carried out by qualified technicians.
- > Always disconnect the mains power when working on a high voltage electric installation, not doing so may result in product damage and/or personal injuries.
- > Do not connect or modify this product other than described in this manual.
- > Never use a product that is damaged or does not work correctly or when the product starts to smoke, or when a crackling/sizzling noise is audible. If this is the case in any way, disconnect power and please contact your supplier immediately.
- > The only way to power off this product is to disconnect it from the power source.
- > The product is designed for indoor use (dry locations) only.

Packaging, Orderable Information

Content

- > 1x DiGidot Power Node
- > 4x or 8x Three pins push-in terminal
- > 1x Power Cord
- > Quick start Instruction card

NOTE

We put great care in our products and have a high quality control standard. Nonetheless we advise to double check for missing or damaged items.

In case of any missing or damaged items, please contact your supplier immediately.
Never use damaged products!

Order Information

Product Name	Article nr.	EAN Code
Combinations		
DiGidot Power Node U12X – 12V	2040511	8720168565945
DiGidot Power Node U12X – 24V	2040512	8720168565952
DiGidot Power Node U12X – 48V	2040513	8720168565969
DiGidot Power Node U24X – 12V	2040521	8720168565976
DiGidot Power Node U24X – 24V	2040522	8720168565983
DiGidot Power Node U24X – 48V	2040523	8720168565990

Related Items

General Information

Online Resources

Before For technical specifications, latest documentation, manuals, product information and further support please visit www.digidot.eu.

Remarks

We have put great care in writing this manual. However, in case you encounter any discrepancies or unclarities, please contact us.

Warranty

This product is covered by a carry-in manufacturer's warranty of 5 years which covers any design faults, production faults and component failures.

Warranty voids if the product was installed or used incorrectly or not in accordance with this manual, and/or if the product was damaged due to external factors, modified or electrically overloaded. Warranty conditions of DiGidot Technologies B.V. apply. Warranty claims have to be issued by email: support@digidot.eu.

Disposal and recycling

This product should not be disposed with other household waste. When you decide to dispose this product and/or its battery, do so in accordance with local environmental and recycling regulations.

Feedback

Tell us all about your experience with DiGidot! The continuous development of the DiGidot control platform is only possible thanks to feedback from our users. If you have any suggestions, please contact us by email: info@digidot.eu.

Copyright

© 2024 DiGidot Technologies B.V. All rights reserved.

Errors and omissions excepted. The information in this document is subject to change at any time without prior notice. Visit our website www.digidot.eu for the most recent version of this document. It's not allowed to copy or reproduce, translate or publish the information within this document without prior written approval from DiGidot Technologies B.V.

Feedback

DiGidot Technologies B.V. cannot be held liable for improper handling, product installation, usage or storage. DiGidot Technologies B.V. explicitly rejects any form of liability claims in advance, whether it concerns direct or indirect disadvantages, damage, injuries, loss of income or other financial,

materialistic or personal consequences that are directly or indirectly caused by use of this product or its owner or user. Any form of unintended or misuse of this information and/or DiGidot products indemnifies DiGidot Technologies B.V. from liability and warranty obligations



DiGidot Power Node

Address

Bromostraat 18-3
1067 TG Amsterdam
The Netherlands

Phone number

+31 (0) 20 820 1849

E-mail

info@digidot.eu

Website

www.digidot.eu



[/Digidot-Technologies-b.v.](https://www.linkedin.com/company/digidot-technologies-b.v.)



[@digidottechnologies](https://www.instagram.com/digidottechnologies)